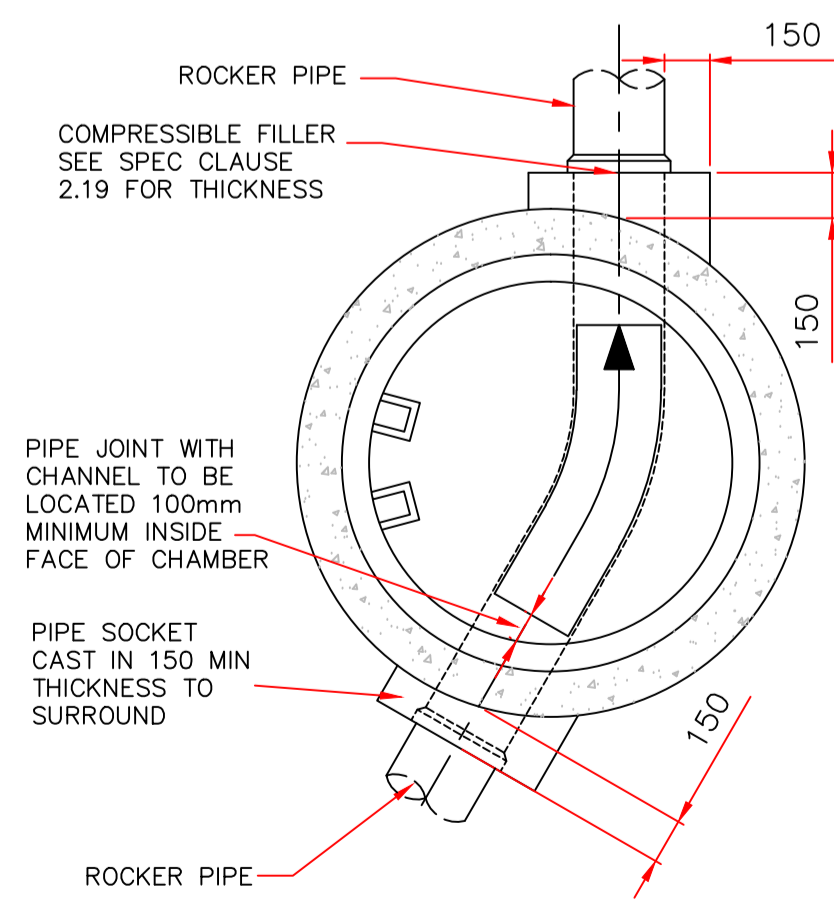
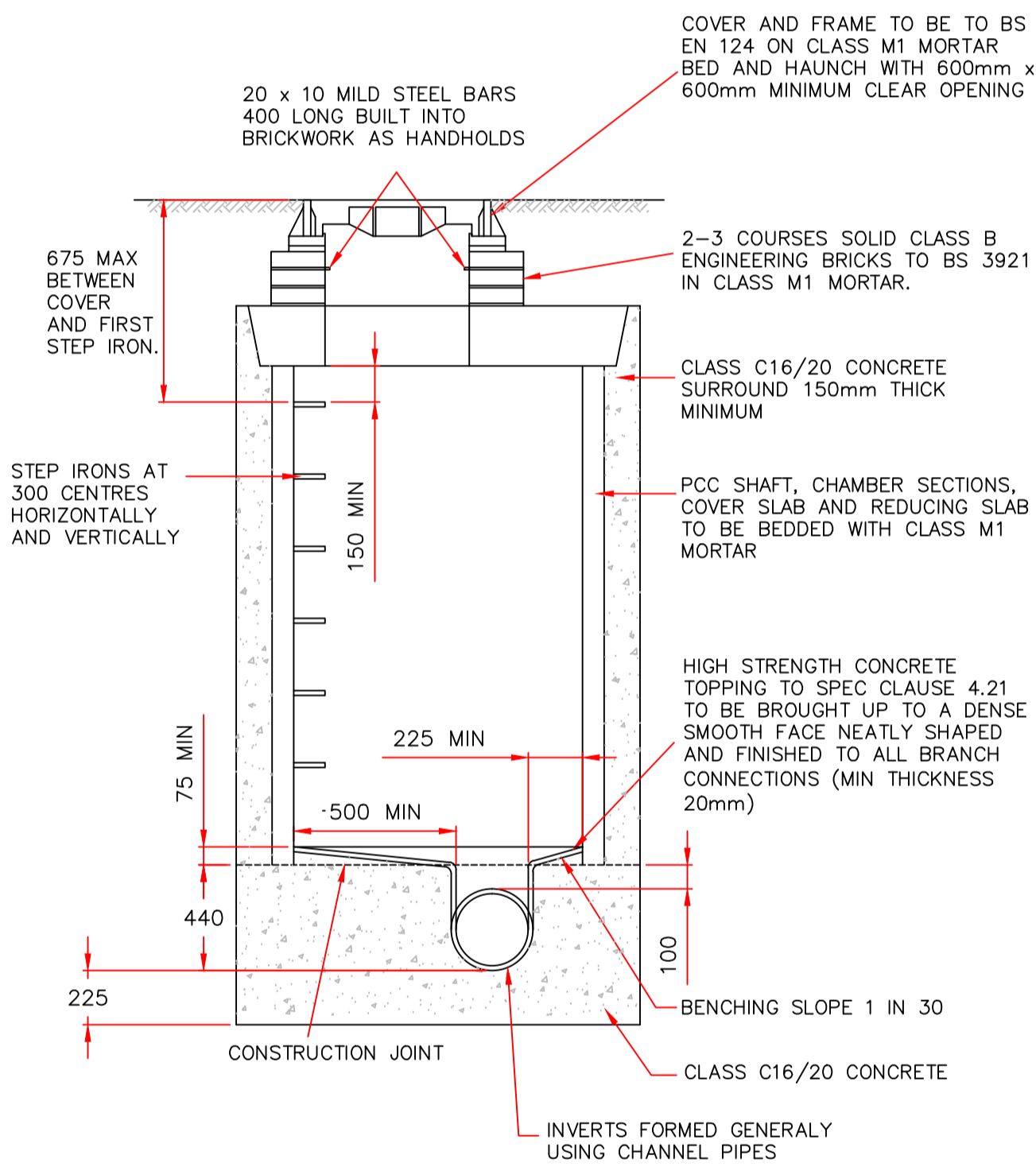
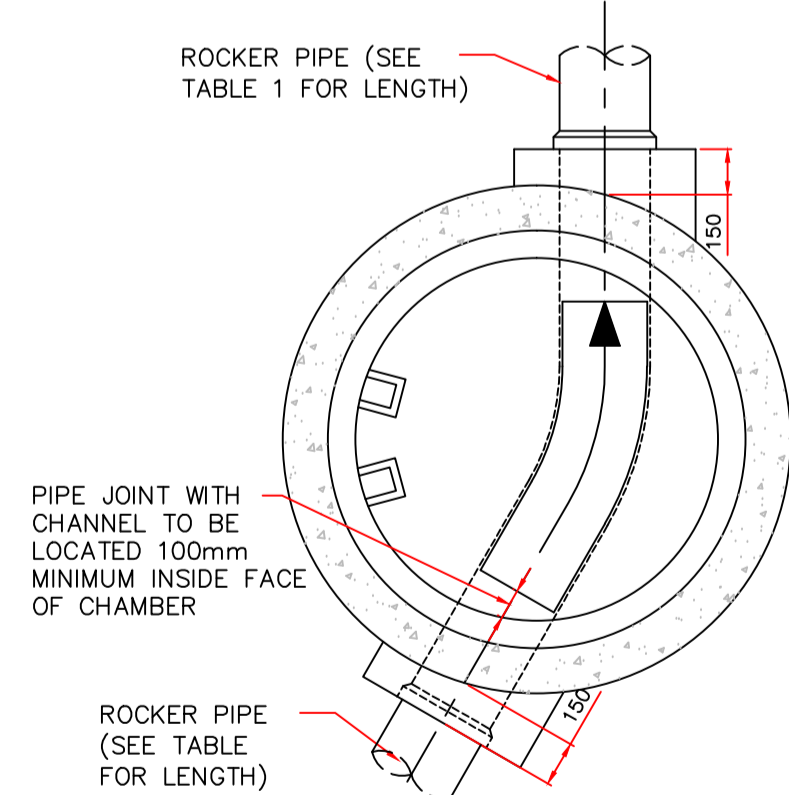
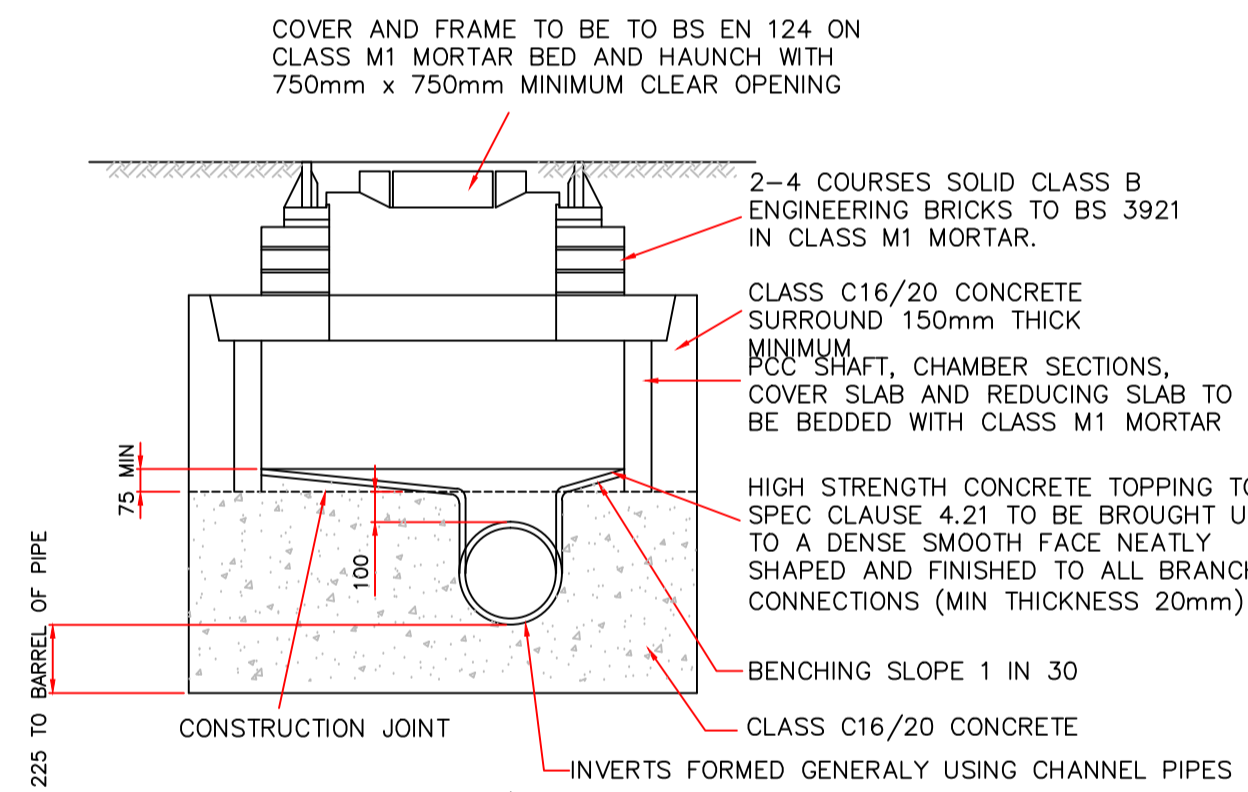


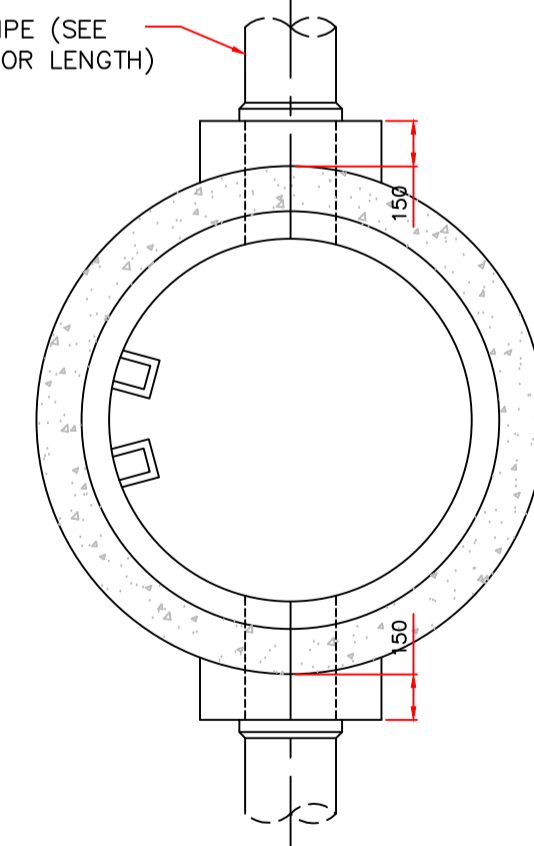
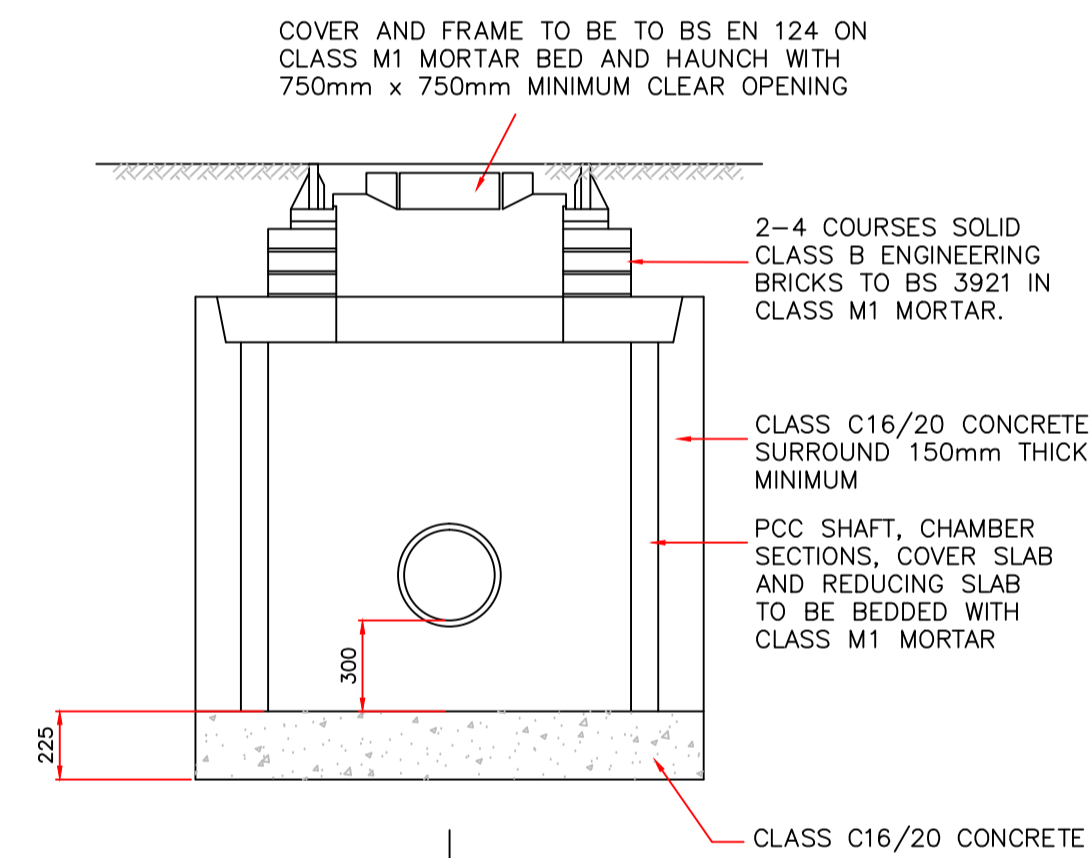
BACKDROP MANHOLE
SCALE 1:25



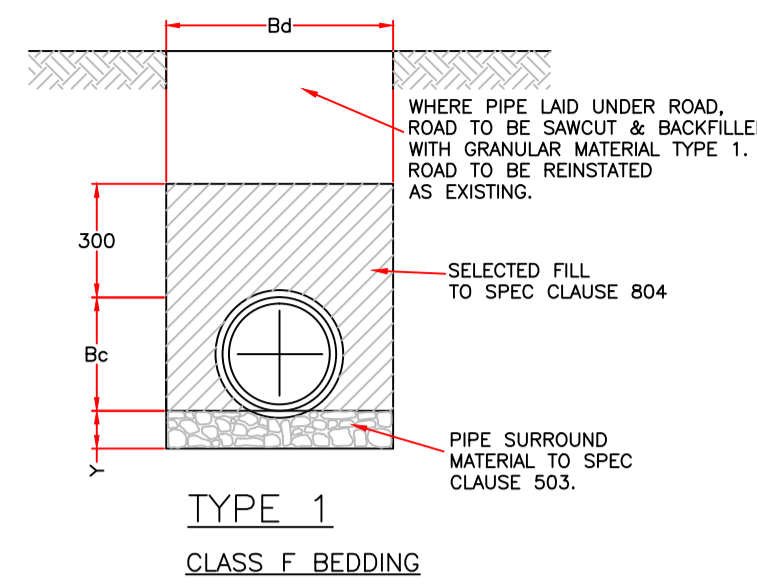
MANHOLE TYPE B
SCALE 1:25



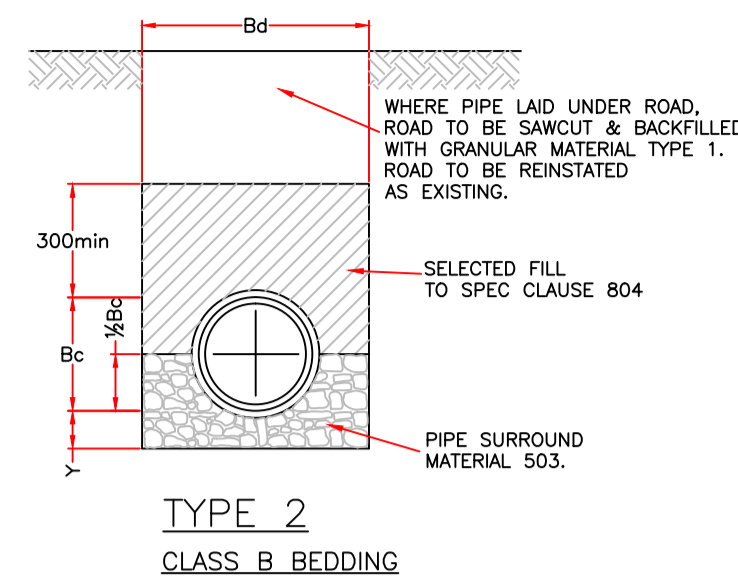
MANHOLE TYPE E
SCALE 1:25



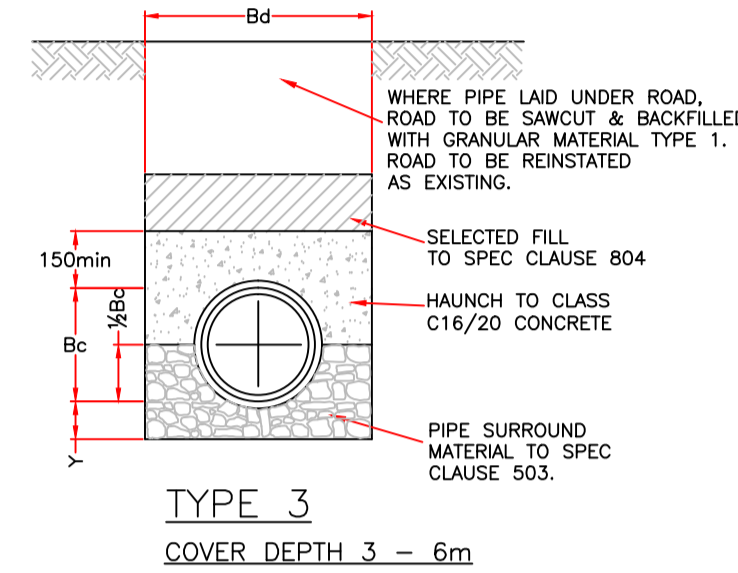
SILT TRAP
SCALE 1:25



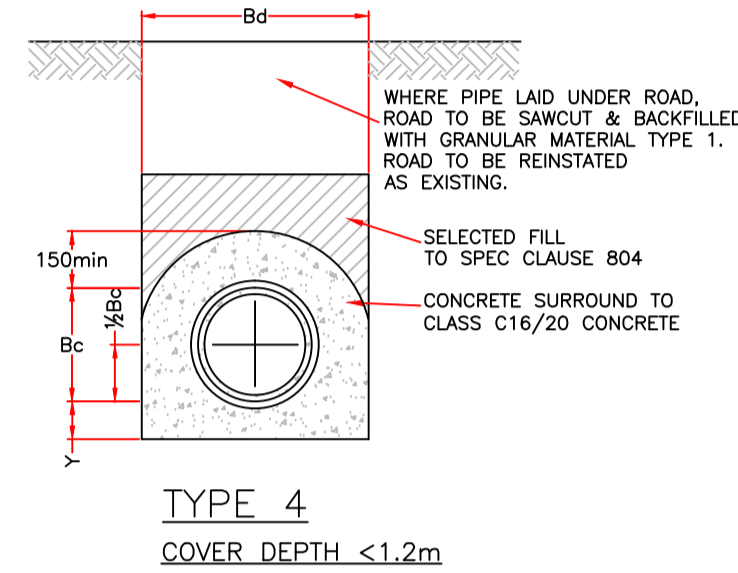
TYPE 1
CLASS F BEDDING



TYPE 2
CLASS B BEDDING

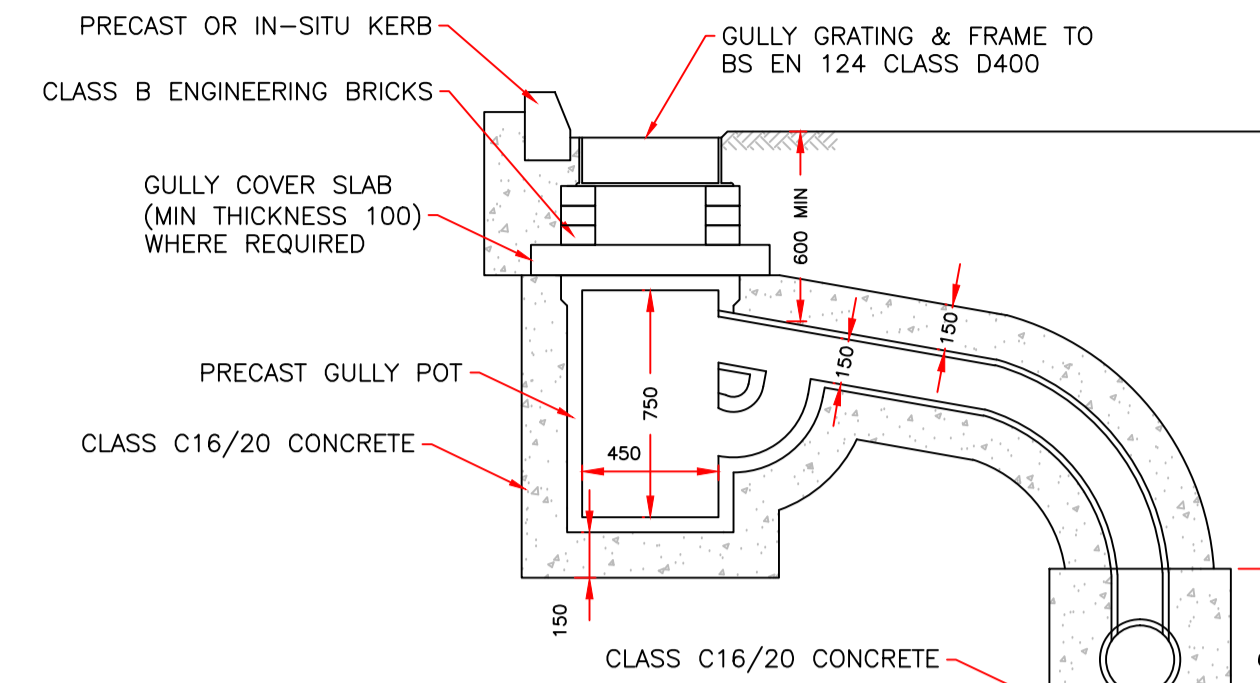


TYPE 3
COVER DEPTH 3 - 6m

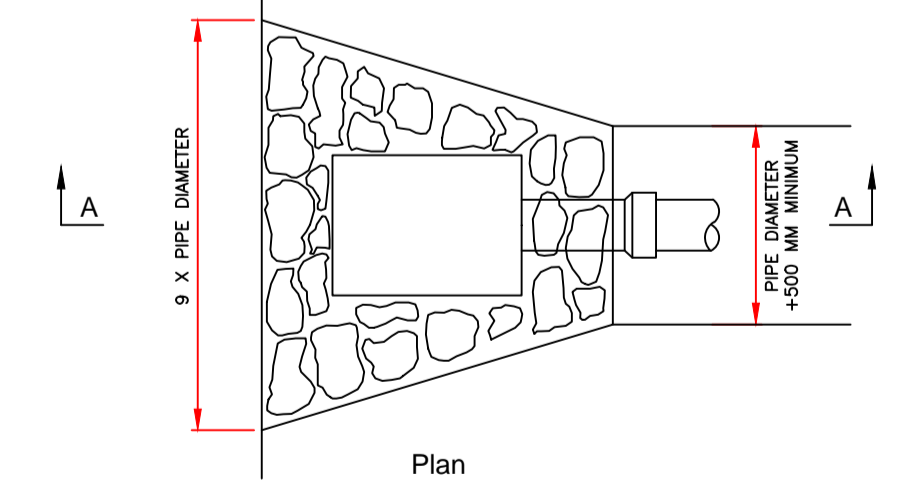
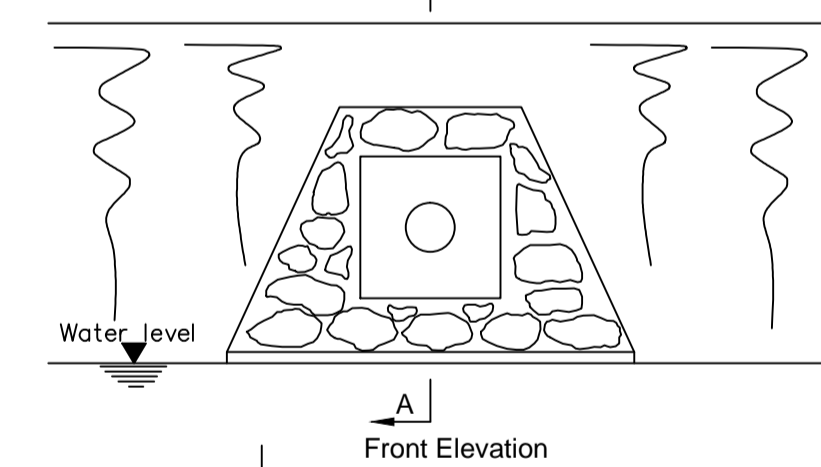
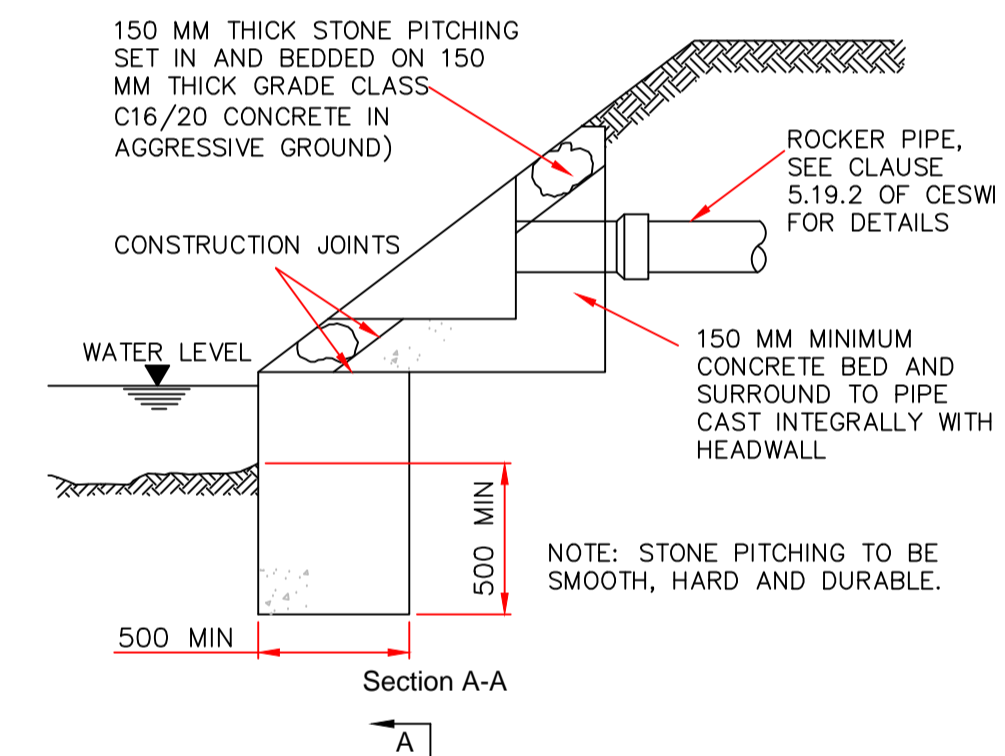


TYPE 4
COVER DEPTH <1.2m

PIPE BEDDING & SURROUND TYPES
SCALE 1:20



GULLY & CONNECTION DETAIL
SCALE 1:25



STORMWATER OUTFALL DETAIL
SCALE 1:25

NOTES

ALL DRAINAGE WORKS SHALL BE CONSTRUCTED IN ACCORDANCE WITH THE 'CIVIL ENGINEERING SPECIFICATION FOR THE WATER INDUSTRY' 7TH EDITION

MANHOLE NOTES

- MANHOLE FRAME & COVER TO BE:
 - CLASS D400 IN TRAFFICKED AREAS
 - CLASS B125 IN FOOTPATHS & LANDSCAPED AREAS
- ROCKER PIPE LENGTHS SHALL BE AS DETAILED IN TABLE 1 BELOW

TABLE 1: ROCKER PIPE LENGTHS

NOMINAL INT PIPE DIA	ROCKER PIPE LENGTH
150-600	0.6
675-750	1.0

PIPE BEDDING DETAIL NOTES

- ALL DIMENSIONS IN MILLIMETERS.
- Y1 SHALL BE USED ON ALL OCCASIONS EXCEPT AS BELOW OR WHERE Y2 IS SPECIFIED BY THE ENGINEER.
- DIMENSION Y SHALL BE INCREASED BY 40 FOR EACH ADDITIONAL 1000 COVER IN EXCESS OF 5000.
- DIMENSION Y2 SHALL BE USED.
- WHERE EXCAVATION IS IN ROCK OR MIXED SOILS CONTAINING ROCK BEDS, BOULDERS, LARGE FLINTS, STONE OR OTHER IRREGULAR HARD SPOTS.
- SPECIFICATION REFERS TO 'CIVIL ENGINEERING SPECIFICATION FOR THE WATER INDUSTRY 7TH EDITION'.

TABLE 3: PIPE BEDDING TRENCH WIDTHS

NOMINAL INT PIPE DIA	DIMENSION Y1 EVEN TRENCH BOTTOM (MIN)	DIMENSION Y2 ROCK OR UNEVEN TRENCH BOTTOM	MAX PERMITTED TRENCH WIDTH
<400	100	200	Bc + 600
400-700	150	250	Bc + 675
701-900	200	300	Bc + 750
901-1200	250	350	Bc + 1025

NOTE:
Bc = OUTSIDE DIAMETER OF PIPE
Bd = WIDTH OF TRENCH AT 300mm ABOVE CROWN OF PIPE

rev.	date	amendment	dm	ckd
E	11.01.19	PLANNING	NOM	PMS

PROPOSED HOUSING DEVELOPMENT
CREAGH, GOREY, CO. WEXFORD

PROPOSED STORMWATER DRAINAGE

STANDARD DETAILS



NEWRY OFFICE:
1 RDC HOUSE
WIN BUSINESS PARK
NEWRY BT35 6PH

CARLOW OFFICE:
INNOVATION CENTRE
GREEN ROAD
CARLOW R93 W248

file location:	N:\IE1505\DRAWINGS	scale:	AS SHOWN	A1
drawing status:	PLANNING	datum:	MALN	
drawing no.	IE1505-013	checked:	PMS	
		approved:	PMS	
		date:	11.01.2019	

© IE Consulting. This drawing or its contents must not be reproduced for any purpose without written permission. It is to be used only for the purpose for which it is supplied.